

# TITAN I

## ROLL-OFF KIT



**Quick and Simple No-weld Install**

**Easy-to-Replace Parts and Components**

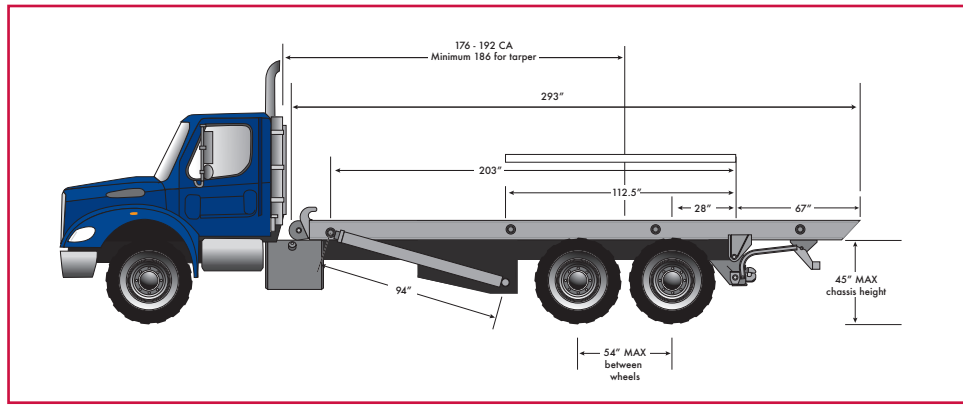
**60,000 lb Hoist System**

**Designed for Strength, Speed and  
Maximum Payload**

**Fully Primed and Painted**



*Quality, engineering, value for over 37 years.*



## 60,000lb Specifications

Cable	3/4" x 77'
Cable Strength	66,800 lbs.
Sheaves	10" cast sheaves with bronze inserts
Container Size	Up to 23'
Frame Rails	4" x 10" x 3/8" rectangular tubing
Outside Frame	34.5" (optional 35.5")
Dump Angle	46° minimum
Weight	6,150 lbs. fully installed (est., not including options)
Shipping Weight	5,797 lbs. (est., not including options)
Outside Rollers	(6) 5" x 3.5" x 1.25" with extractable pin and roller
ICC Bumper Bar	Automatically collapsible (mechanically operated)
Fenders	Stainless steel quarter fenders
Lighting	LED lighting standard
Wiring	Plug and play wiring harness
Tool Box	Heavy duty tool box
Adjustable Bin Stops	Moveable nose roller stops
Wear Strips	36" x 3" rail mounted wear strips
Lubrication	High quality zerk fittings – all wear points
Hoist System Capacity	60,000 lbs.
Tie Downs	Dual ratchet tie downs with 3" straps
Safety Props	Quick release rail mounted props
Back-up Alarm	Audible rear mounted alarm
Warning Lights	Cab mounted PTO and raised rail warning light
Inside Controls	Dual lever air controls
Outside Controls	Dual lever air operated controls
Hoist & Reeving Cylinders	120,000 lb. lift capacity
Cylinder Specs	6" bore, 74" stroke, 4" rod, single stage, double acting
Oil Filter	Thru-wall sump strainer and 10 micron return oil filter
Operating Pressure	1800 PSI
Oil Tank Capacity	40 gallons
Hydraulic Pump	P51, 28 - 32 GPM

## Options

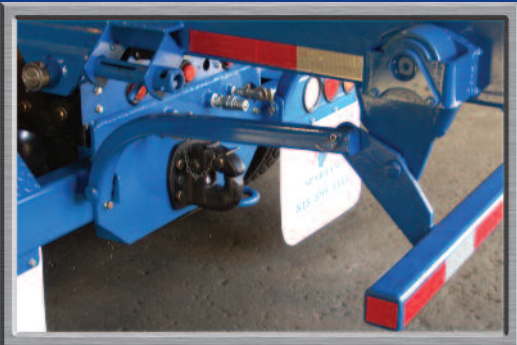
Fenders	Full fenders, polypropylene composites, includes mounts
Wear strip	3/8" x 3", full rail
PTO	PTO for manual or automatic transmission
Bin Locks	Automatic container securement hooks
Tarping systems	Automatic tarping system, includes control valves and levers
Trailer Hitch Packages	Heavy duty pintle, with hook ups for hydraulics, electric, and brakes
Extra Rollers	5" x 3.5" x 1.25"
Inside Controls	Joystick air controls
HD Package	Heavy Duty Package - see details on back cover

# TITAN I

ROLL-OFF KIT



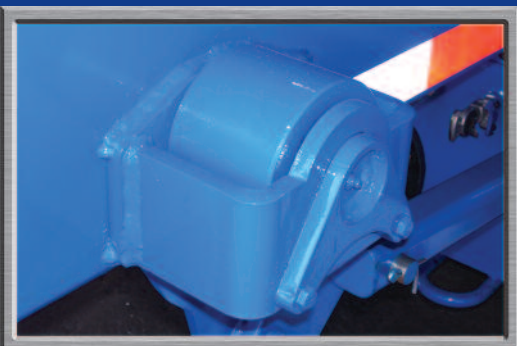
Easy to replace light bar assembly.



Easy to install rear apron and hinge assembly. Low maintenance, collapsible, mechanical ICC bumper.



Universal fender mounts for quarter or full fenders.



Quick, easy no-weld roller replacement.

## Featuring Easily Replaceable Components

Light Bars

Mud Flap Mounts

ICC Bumper

Rollers

Reeving Cylinder Covers

Universal Fender Mounts

Quarter or Full Fenders

Toolbox

Hydraulic Components

Wiring Harness



Simple Reeving Cylinder Cover Replacement



Premium Hydraulic Components



Premium Air-Over Hydraulic Valve Body



Dual Lever or Joystick Controls

# TITAN I

## Significant Features

- ◆ Fully assembled hoist with high capacity dual cylinders
- ◆ Fully assembled rear apron and hinge assembly with plug and play wiring harness
- ◆ 120,000 lb reeving capacity with 30,000lb line pull
- ◆ Net weight approx. 6,000 lbs. fully installed
- ◆ 23 ft container capacity
- ◆ 46° minimum dump angle
- ◆ Comprehensive installation manual and installation support
- ◆ Fully primed and painted
- ◆ High strength steel rail tubes and high strength steel alloy rollers
- ◆ LED lights standard
- ◆ Dual high-speed reeving system
- ◆ Standard toolbox 36" x 18" x 20"

### Heavy Duty Package Includes:

4" x 10" x 1/2" Rails

Heavy Duty Fishplate with Additional Reinforcement

7/8" x 77' Cable

Extra Rollers (1 pair)

Heavy Duty Hinge Plate



*Quality, engineering, value for over 37 years.*

12266 Branford Street

Sun Valley, CA 91352

Phone (818) 899-1111

Fax (818) 897-4366

email [sales@spartantruck.com](mailto:sales@spartantruck.com)

website [www.spartantruck.com](http://www.spartantruck.com)